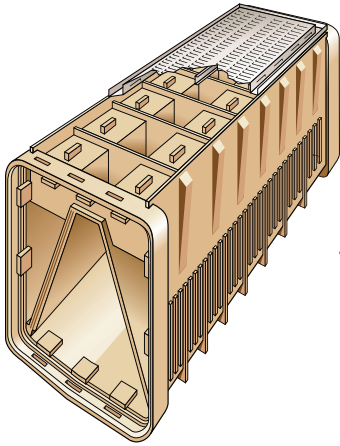




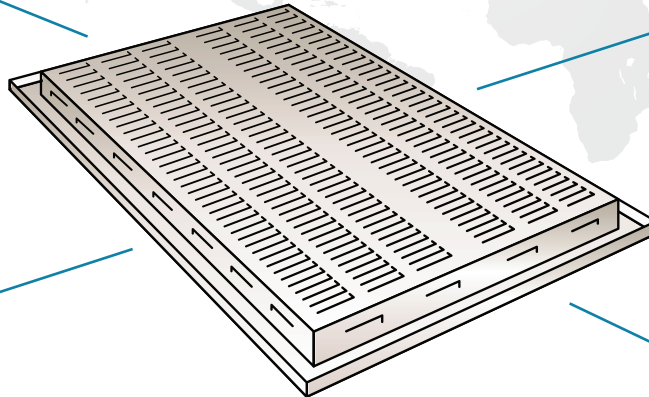
# THE PHOENIX™ PANEL

## GRAVEL ELIMINATION SYSTEM

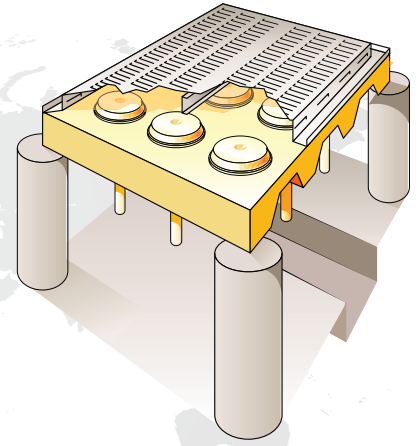
### WE COVER THEM ALL WITH THE PHOENIX™ PANELS



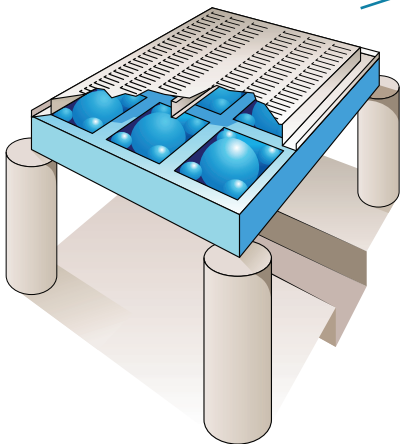
PLASTIC BLOCK



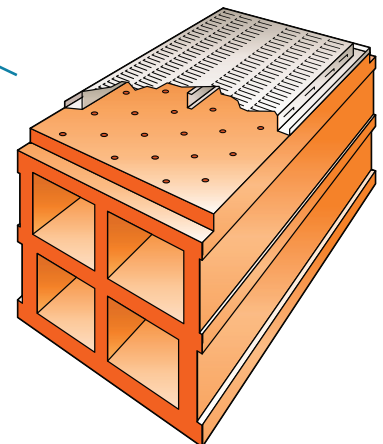
THE PHOENIX™ PANEL



FALSE BOTTOM  
WITH NOZZLES



WHEELER BOTTOM



CLAY TILE BLOCK

### — PHOENIX™ PANELS —

- ✓ Eliminates the need for gravel
- ✓ Improves backwash flow distribution
- ✓ Installs directly over existing filter underdrain system
- ✓ Provides longer filter runs and lower turbidity
- ✓ Has the capability of adding air to an existing system
- ✓ Demolition of existing underdrain not required



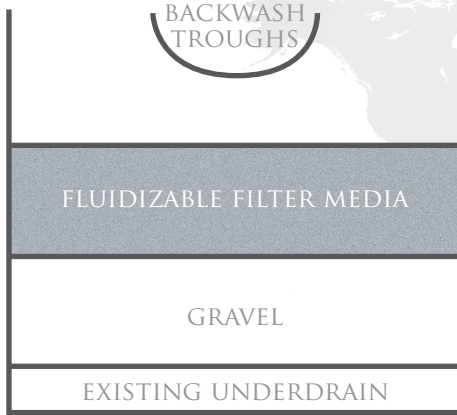
# THE PHOENIX™ PANEL

## GRAVEL ELIMINATION SYSTEM

WHAT WOULD YOU DO WITH ADDITIONAL DEPTH IN YOUR FILTERS?

**BEFORE**

Typical media configuration with gravel support



**AFTER**

Typical media configuration **without** gravel support



Phoenix™ Panel installation in progress.  
Time required is 3 days.



Phoenix™ Panel installation complete.